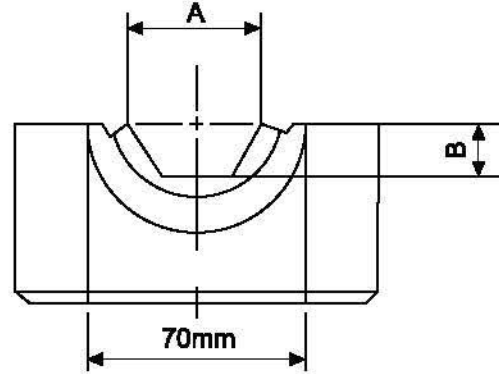


CRIMPERS DIES

KUDOS USA DIES 100ST FOR SR-100C, HYCP-100ST, 100W

■ For SR-100C / HYCP-100ST / 100W DIES

(image and figure for reference only)



FOR STEEL SLEEVE

C : Die Wdth

Die No.	A	B	C
100ST-G12	12mm	5.20mm	40mm
100ST-G18	18mm	7.80mm	35mm
100ST-G20	20mm	8.70mm	35mm
100ST-G22	22mm	9.50mm	35mm

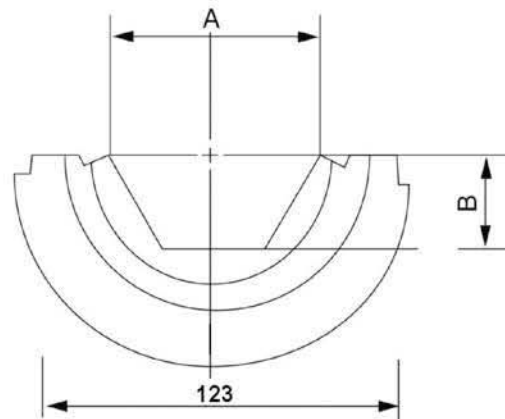
FOR ALUMINUM SLEEVE

C : Die Wdth

Die No.	A	B	C
100ST-L24	24mm	10.50mm	75mm
100ST-L30	30mm	12.50mm	75mm
100ST-L40	40mm	17.50mm	75mm
100ST-L42	42mm	18.20mm	75mm
100ST-L45	45mm	20.50mm	75mm
100ST-L52	52mm	22.50mm	75mm

■ For 200W DIES

(image and figure for reference only) KUDOS USA DIES 100ST FOR 200W



FOR STEEL SLEEVE

C : Die Wdth

Die No.	A	B	C
200W-G24	24mm	10.40mm	80mm

FOR ALUMINUM SLEEVE

C : Die Wdth

Die No.	A	B	C
200W-L24	24mm	10.40mm	128mm
200W-L32	32mm	14.10mm	128mm
200W-L70	70mm	30.70mm	128mm