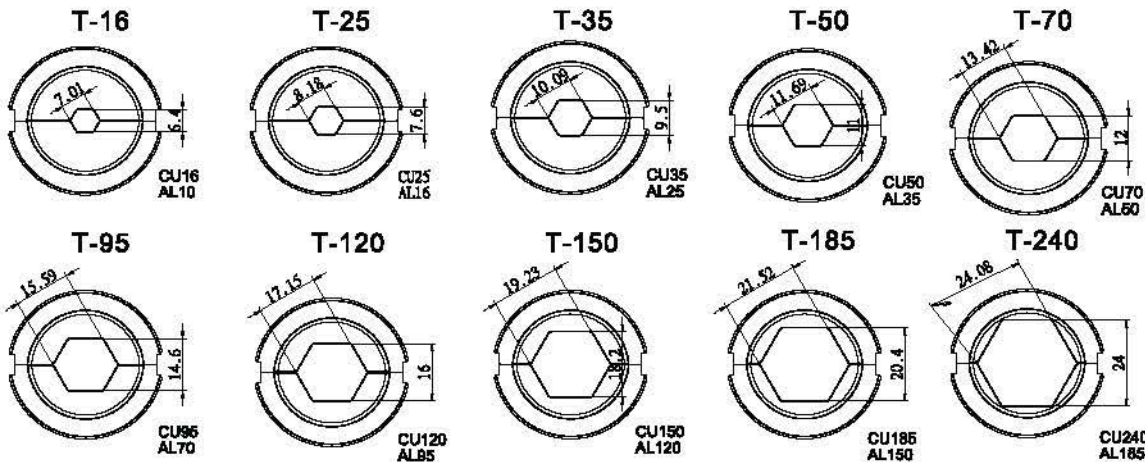


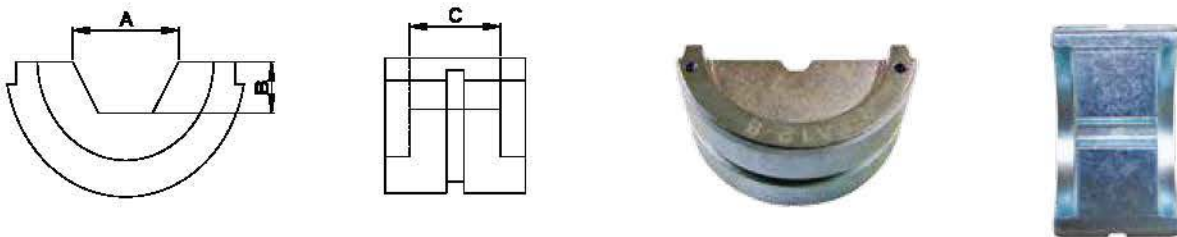
## KUDOS USA DIES FOR CRIMPERS LEC-240

### ■ DIES FOR LEC-240, K-PH240, PH-240(HE) DIN (CU) 46235 DIN (AL) 46267

DIE NO.	Cross the flats dimension (MM)	Height (MM)	SIZE
T-16	7.01	6.40	8 CU 16 / AL10
T-25	8.18	7.60	10 CU 25 / AL16
T-35	10.09	9.50	12 CU 35 / AL25
T-50	11.69	11.00	14 CU 50 / AL35
T-70	13.42	12.00	16 CU 70 / AL50
T-95	15.59	14.60	18 CU 95 / AL70
T-120	17.15	16.00	20 CU 120 / AL95
T-150	19.23	18.20	22 CU 150 / AL120
T-185	21.52	20.40	25 CU 185 / AL150
T-240	24.08	24.0	28 CU 240 / AL185



### ■ DIES FOR CRIMPING COLOR-CODED COPPER & ALUMINUM LUGS & SPLICES



Unit: mm

"KA" STYLE DIES : ALUMINUM					
DIE NO.	A	B	C	CABLE SIZE	COLOR
KA12-8	5.68	2.26	16	8 AWG	Blue
KA12-4/0	20.08	8	16	4/0 AWG	White
KA12-250	21.96	8.76	16	250 kcmil (MCM)	Red
KA12-300	23.8	9.5	19	300 kcmil (MCM)	Blue
KA12-350	27.72	11.05	19	350 kcmil (MCM)	Brown
KA12-400	28.02	11.18	16	400 kcmil (MCM)	Green
KA12-500	30.25	12.45	16.26	500 kcmil (MCM)	Pink
KA12-600	33.66	13.97	16.26	600 kcmil (MCM)	Black
KA12-750	35.81	14.73	16.26	750 kcmil (MCM)	Yellow