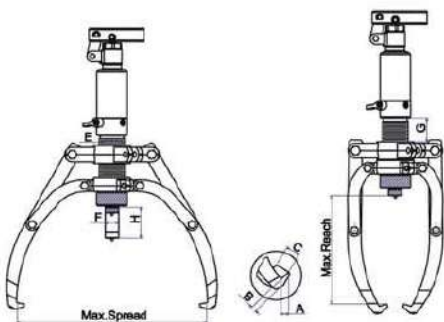


HYDRAULIC EASY PULLER

HI-POWER PME-Series 2/3 arm Pullers, self-centering with integrated pump and cylinder



Compact, ergonomic design, easily operated by one person.



- **Practical** Self-centering, easy to convert 2-arm or 3-arm puller. The arms slide inwards / out wards simultaneously.+
- **Compact** The self contained HI-POWER Hydraulic pump saves space, as you don't need separate pump, hose or cylinder.
- **Strong** The harder the force, the tighter the jaws grip. The arms can not bend or deflect.
- **Economical** 2/3-arm combination puller, two pullers for the price of one, including integrated pump and cylinder.
- **Safe** The integral safety release valve prevents, overloading and ensures you never exceed maximum power capacity.

Advantages of these self-centering pullers.

- Prevent damage to shaft and workpiece being pulled.
- efficient and saves time.
- Can be used in any position.
- Adapters included.

4,6,8,12,20 and 30 ton Capacity



Puller Assembled Package

HI-POWER PME 2/3-arm Hydraulic self-centering pullers

Model No.	Cap. ton	Max. shaft length mm	Max.		Min.		Stoke mm	Jaw Tip (mm)			Pump Tip (mm)			Weight kg
			Reach mm	spread mm	Reach mm	spread mm		A	B	C	E	F	G	
* HI-POWER PME400	4 ton	190	190	315	150	43	60	13	10	22	42	22	40	8.0
* HI-POWER PME600	6 ton	230	230	390	185	45	70	13	10	22	45	23	50	9.8
* HI-POWER PME800	8 ton	280	280	463	225	95	85	13	13	27.5	50	25	70	11.7
* HI-POWER PME1200	12 ton	300	300	515	240	100	85	15	16.5	29	60	28	70	14.8
** HI-POWER PME2000	20 ton	325	325	520	250	110	111	18	20	33	80	40	62	25.7
** HI-POWER PME3000	30 ton	415	415	620	330	120	111	18	20	38	95	50	85	36.0

*HI-POWER HI-QUALITY PULLERS, ALL INCL, ** HI-POWER SAFETY NET (SAFETY BLANKET)

Hydraulic Pullers

HI-POWER PM-Series 2/3 arm Pullers, with integrated pump and cylinder



Compact, ergonomic design, easily operated by one person

Multifunctional

HI-POWER PM-pullers are ideal for pulling a wide variety of parts, including bearings, bushings, wheels, gears and pulleys. Applications for HI-POWER PM-pullers will be found in motor repair shops, service companies, maintenance shops, industry, mining, paper mills, chemical plants, shipping, offshore, etc.

Compact

The self contained HI-POWER hydraulic pump saves space, as you don't need a separate HI-POWER pump, hose or cylinder.

Strong

The harder the force, the tighter the jaws grip. The arms cannot bend or deflect.

Economical

2- or 3-arm combination puller, two pullers for the price of one, including intergrated pump and cylinder.

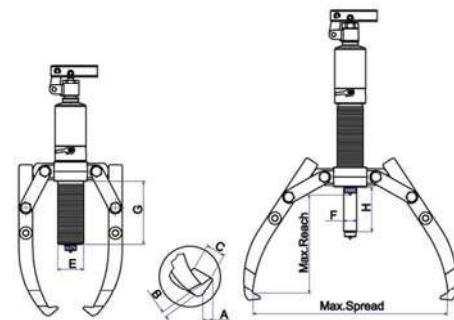
Safe

The intergral safety release valve prevents overloading and ensures you never exceed maximum power capacity.

Versatile

Barious accessories are available. The sets are supplied in a practical HI-POWER carry case and consist of a puller block, connecting rods and a set of bearing splitters.

4, 6, 8, 12, 20 and 30 ton capacity!



HI-POWER PM hydraulic pullers.

Model No.	Cap. ton	Art. No.	Max. Shaft length	Reach	Spread	Stroke H mm	Pump tip mm			Jaw tip mm			Weight (kg)
			(mm)	Max. (mm)	Max. (mm)		E	F	G	A	B	C	
● HI-POWER PM 400	4 Ton	791000	185	185	255	60	84	42	22	11	6	22	4.5
● HI-POWER PM 600	6 Ton	792000	220	220	330	70	122	45	25	13	10	25	6.5
● HI-POWER PM 800	8 Ton	793000	230	230	350	85	122	50	25	11	10	25	6.5
● HI-POWER PM 1200	12 Ton	794000	270	270	375	85	118	60	28	14	10	29	8.0
● HI-POWER PM 2000	20 Ton	796000	360	360	520	111	161	80	40	20	27	33	22.0
● HI-POWER PM 3000	30 Ton	797000	360	360	550	111	155	98	50	20	27	38	32.0

● HI-POWER HI-QUALITY PULLERS, ALL INCL.

● HI-POWER SAFETY NET. (SAFETY BLANKET)

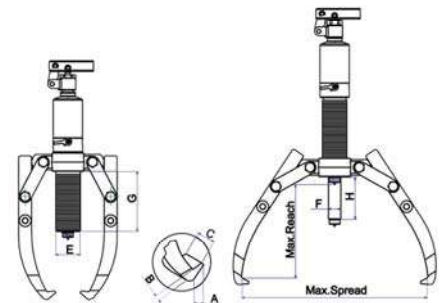
HI-POWER PULLER 2/3 JAWS PRO PLUS PULLER & UNIVERSAL BEARING ATTACHMENT SET



HI-POWER PRO PLUS SET including puller body, jaw assembly, cross bearing, extension bar and blow molded case for practical and safe work.

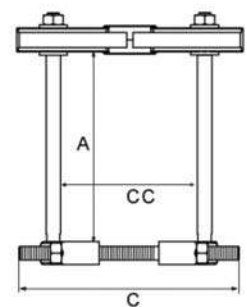
HI-POWER PULLER PRO PLUS SET

Model No.	Capacity	Reach	Reach	Stroke	Pump Tip (mm)			Jaw Tip (mm)			Weight (kg)
	(ton)	(Max. mm) A	(Min. mm) B	(mm) H	C	D	E	A1	B1	C1	
HI-POWER PM420	4 Tons	211.5	127.5	60	42	22	84	11	6	22	4.5 / 8.5
HI-POWER PM620	6 Tons	243.5	153.5	70	45	23	90	13	10	22	5.5 / 11.5
HI-POWER PM820	8 Tons	243.5	121.5	85	50	25	122	11	10	25	6.5 / 12.6
HI-POWER PM1220	12 Tons	288	173	85	60	28	115	14	10	29	8.0 / 18.0



SPECIFICATION HI-POWER Bearing attachment cross bearing set. (INCLUDING IN SET)

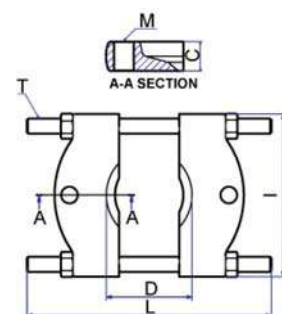
Model No.	Capacity	A (mm)	D (mm)	C (mm)	CC (mm)	Thread	Bearing Attachment	Weight (kgs)
	(ton)	Min-Max.	Min-Max.	Min-Max.	(inch)			
HI-POWER P412	4 tons	224	12-70	163	100-145	1/2"- 13UNC		6.5
HI-POWER P612	6 tons	255	28-150	260	115-220	5/8"- 11UNC	HYC9025	10.5
HI-POWER P812	8 tons	255	28-150	260	110-230	5/8"- 11UNC	HYC9025	11.5
HI-POWER P1212	12 tons	298	20-200	360	140-310	3/4"- 10UNC	HYC9035	20.0



* Excluding the hydraulic pump body.

TECHNICAL DATA HI-POWER Bearing Attachments (INCLUDING IN SET)

Model No.	D	C	L	I	ØT	ØM	Weight (kgs)
	Min-Max. (mm)	(mm)	(mm)	(mm)	(inch)	(inch)	
HI-POWER HYC9005	5-60	17	120	92	3/8-24UNF	3/8-16UNC	0.7
HI-POWER HYC9010	15-60	20	135	130	1/2-20UNF	3/8-16UNC	1.5
HI-POWER HYC9015	12-70	27	165	156	5/8-18UNF	1/2-12UNC	2.6
HI-POWER HYC9025	28-150	33	275	207	3/4-16UNF	5/8-11UNC	5.0
HI-POWER HYC9035	20-200	38.5	350	240	1-14UN	3/4-10UNC	10.0
HI-POWER HYC9035A	20-200	38.5	350	240	1-14UN	1/14UN	11.0



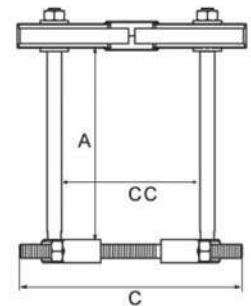
Universal Bearing Attachments Cross Bearing Pullers

- Precise hydraulic control allows fast, efficient and safe pulling
- Quick set-up to tackle a variety application.
- Forged of high strength steel alloy.
- Heat treated, chrome plated for rust proof and durable life.
- Wedge-shaped edges allow removal of the most hard-to-grip components.
- HI-POWER Cross bearing pullers are easy to be applied on the most difficult parts for fast and efficient removal.



SPECIFICATION HI-POWER Bearing attachment cross bearing set. (Accessories)

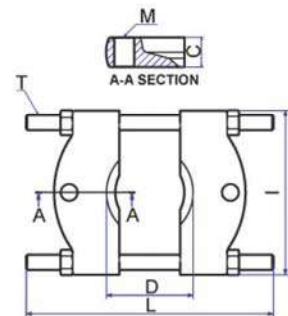
Model No.	Capacity	A (mm)	D (mm)	C (mm)	CC (mm)	Thread	Bearing Attachment	Weight (kgs)
	(ton)	Min-Max.	Min-Max.	Min-Max.	(inch)			
HI-POWER P412	4 tons	224	12-70	163	100-145	1/2"- 13UNC		6.5
HI-POWER P612	6 tons	255	28-150	260	115-220	5/8"- 11UNC	HYC9025	10.5
HI-POWER P812	8 tons	255	28-150	260	110-230	5/8"- 11UNC	HYC9025	11.5
HI-POWER P1212	12 tons	298	20-200	360	140-310	3/4"- 10UNC	HYC9035	20.0



* Excluding the hydraulic pump body.

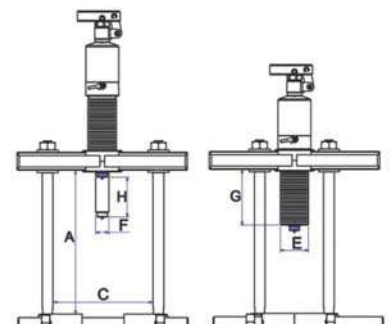
TECHNICAL DATA HI-POWER Bearing Attachments (Accessories)

Model No.	D	C	L	I	ØT	ØM	Weight (kgs)
	Min-Max. (mm)	(mm)	(mm)	(mm)	(inch)	(inch)	
HI-POWER HYC9005	5-60	17	120	92	3/8-24UNF	3/8-16UNC	0.7
HI-POWER HYC9010	15-60	20	135	130	1/2-20UNF	3/8-16UNC	1.5
HI-POWER HYC9015	12-70	27	165	156	5/8-18UNF	1/2-12UNC	2.6
HI-POWER HYC9025	28-150	33	275	207	3/4-16UNF	5/8-11UNC	5.0
HI-POWER HYC9035	20-200	38.5	350	240	1-14UN	3/4-10UNC	10.0
HI-POWER HYC9035A	20-200	38.5	350	240	1-14UN	1/14UN	11.0



SPECIFICATION HI-POWER Cross Bearing Pullers, Bearing splitter. pro set

HI-POWER PRO SET Model No.	Capacity	Reach (Max. Mm)	Spread (Max. mm)	Stroke (mm)	Inner Dia. Min/max	Pump Tip		
	(ton)	A	C	H		E	F	G
HI-POWER PM410	4 tons	224	145	60	Ø 15-100	42	22	84
HI-POWER PM610	6 tons	255	220	70	Ø 25-180	45	23	90
HI-POWER PM810	8 tons	255	230	85	Ø 40-220	50	25	122
HI-POWER PM1210	12 tons	298	310	85	Ø 45-290	60	28	115



* Including the hydraulic pump body and bearing attachment.

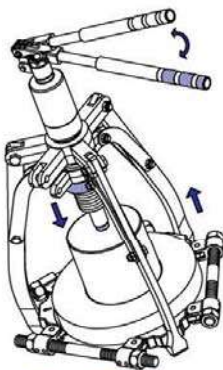
HI-POWER Tri Section Plate



Spreading - Rear Side



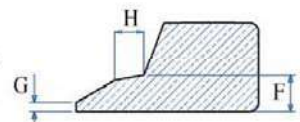
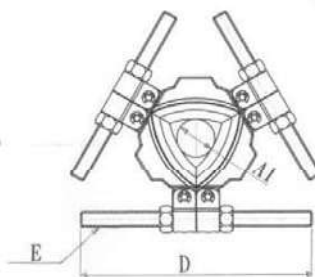
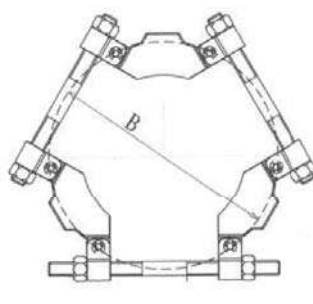
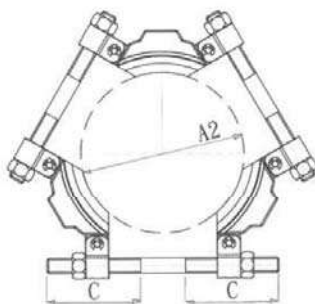
Spreading - Front Side



Easy Operating

USER-FRIENDLY & SAFE

- Unique & patented swivel design creates the max. spread.
- The tri-section construction provides the even force distribution, preventing bearing from locking and/or tilting on the shaft during dismantling.
- Suitable for combination usage with all three-armed hydraulic pullers.
- Available in a wide range, covering the most common shaft sizes.
- The firm grip behind inner and outer rings of bearing ensures the pulling force being transmitted through the moving parts and preventing the damaging of bearing.



SPECIFICATIONS (mm)

Model No.	Available Shaft Dia.		Spread B (Max.)	C	D	E	F	G	H	Capacity (Ton)	Weight (kg)
	A1	A2									
T3-60	26	160	216	105	240	5/8"-11UNC	8	2	6.5	6	3.5
T3-210	50	210	280	117	285	7/8"-14UNF	10	2	9	8	5.5
T3-340	90	340	460	175	430	1 1/4"-12UNF	14	2	8	20	18
T3-495	140	495	660	235	610	1 3/4"-12UNF	20	2	12	30	45